



## Cat.6A Keystone Inline Coupler

Part no.: NK4010

### Technical Features

Category 6A Class EA 500 MHz

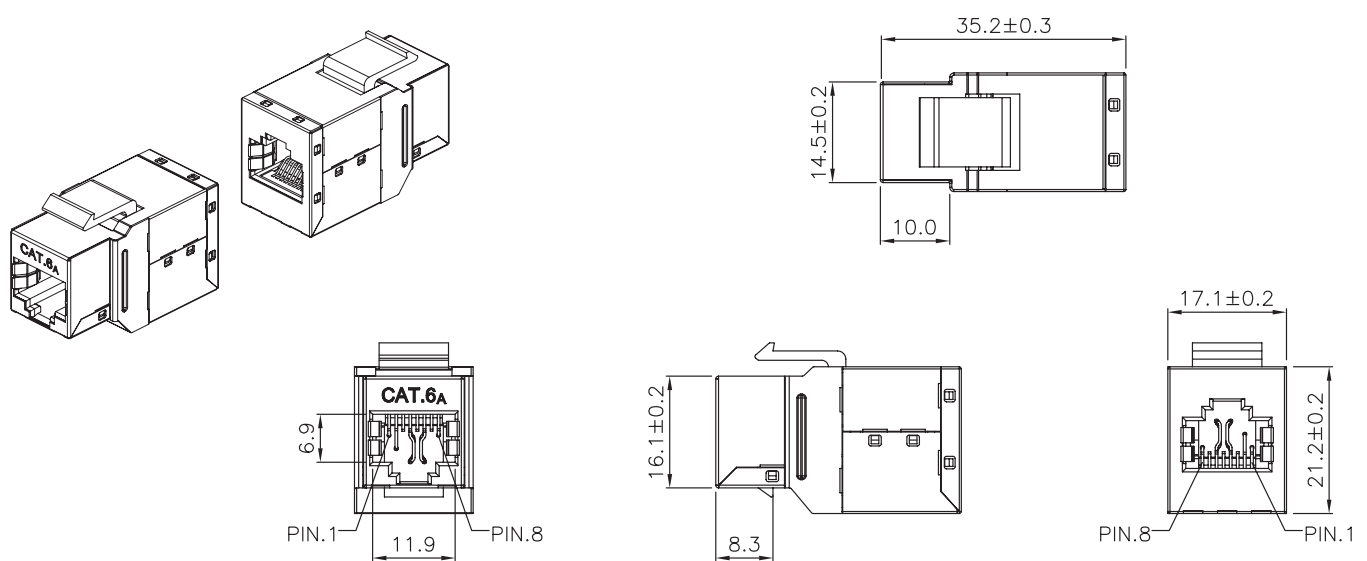
ISO/IEC 11801 and TIA/EIA 568C.2

Snap-in mounting

Pin configuration: 1:1

2x RJ45 jack, fully shielded

### Technical Drawings



NK4010



4 052792 027761

Made in China

[www.logilink.com](http://www.logilink.com)



RoHS  
compliant



\* The specifications and pictures are subject to change without notice.  
\*All trade names referenced are the registered trademark of their respective owners.

## Package Contents

Cat.6A Keystone Inline Coupler x 1

## Packaging Informations

|                   |                   |
|-------------------|-------------------|
| Packing Dimension | 33 x 22 x 20mm    |
| Packing Weight    | 0.04g             |
| Carton Dimension  | 480 x 390 x 253mm |
| Carton Q'ty       | 500pcs            |
| Carton Weight     | 15kg              |

NK4010



4 052792 027761

Made in China

[www.logilink.com](http://www.logilink.com)



RoHS  
compliant



\* The specifications and pictures are subject to change without notice.  
\*All trade names referenced are the registered namework of their respective owners.