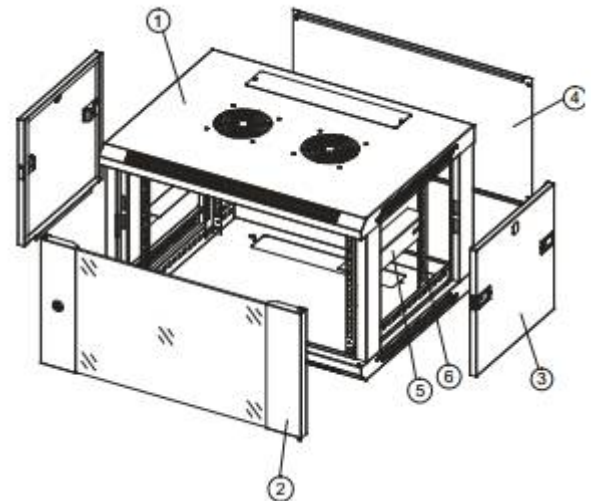




Features

- Color: RAL9004 (black)
- Quick release front door - Fixed and released using a simple spring loaded pin
- Lockable, removable side panels - Fixed and released using simple slam latch handles
- Two sets of adjustable 19" profiles - Allows easy installation of a variety of product, shelves and power distribution

Exploded View



S/N	Name	Quantity
1	Top cover	1
2	Front door	1
3	Side panel	2
4	Back panel	1
5	L-shaped bracket	2
6	Vertical rail	4

Overview

These wall mount data cabinets are ideal for small network installations. The Data Racks have 19" mounting profiles at the front and rear of the cabinet, allowing easy installation of standard 19" rackmount equipment.

Cable access is provided top and bottom, and the front door is lockable to that unwanted hands can't tamper with the equipment inside the Data Cabinet. Lockable and removable side panels allow for easy access during installation and maintenance.

Part Numbers

U Size	Width (mm)	Height (mm)	Depth (mm)	Part Number
4U	540	178	450	206404
6U	540	370	450	206406
9U	540	450	450	206409
12U	540	580	450	206412
15U	540	715	450	206415
18U	600	905	500	206418
22U	600	1040	500	206422