



www.equip-info.net

equip 19" Network Cabinet DELTA S 800x1000



Overview

The equip 19" free standing network cabinet with IP 30 protection has a robust welded construction. High quality processing and the newest technologies ensure a long operating life time. The hinge system enables almost 180° wide opening of the door. The door can be easily removed and mounted for a change of the door opening direction. The vertical 19" rails can be adjusted freely in any depth of the cabinet. This simplifies the mounting of the devices and the configuration of connecting cables. The equip network cabinet offers a welded frame and removable side panels. These panels are standardly fixed to the frame using a lock with unified key in the same way as the rear cover.

Cabinet Rear Cover

Removable side and rear covers are secured with key-operated locks same as the front cover.

Break-out Blanking Panels

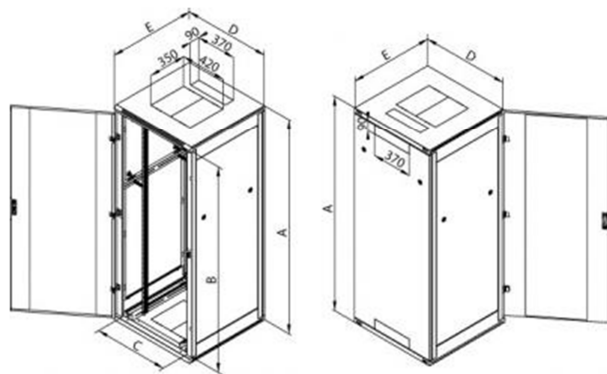
The large opening with breakout-type blanking panel allows the assembly and disassembly of a fan plate from the outside, without using any screws. The entry openings for cables in the rear part of the cabinet are covered with breakout-type blanking panels too. It is possible to use a blanking panel with a brush in a cable opening to avoid dust penetration. A plastic frame serves to protect cables from damages (both are parts of the package).

Special doors for ventilation units

For this network cabinet a special type of steel sheet door for installation of ventilation units are ordered.

Key Features

- solid construction made of sheet steel
- front door made of tempered safety glass / 180° pivoting, door hinges changeable from right to left
- perforated or full metal door available on request
- lockable handle
- easy removable sides and backplane, lockable
- 2 pairs depth adjustable vertical mounting profiles, galvanized
- cable ducts in backplane, top and bottom with a break-out blanking panel (incl. brush insert)
- slots for ventilation in top and bottom
- perforation in upper and lower parts for optimal ventilation
- mounted grounding system
- height adjustable base (castors pls. see accessories)
- brush insert and mounting material included
- color: RAL 7035 light grey or RAL 9005 black
- max. installation depth: depth of cabinet (1000mm) minus minimum 100mm



equip Article No		A	B	C	D	E	Openings for Fan	Weight gross (kg)	Weight net (kg)	Maximal recommended load (kg)
Grey	black	(mm)								
908022	998022	1080	978	687	800	1000	2	78,9	68,4	300
908027	998027	1300	1198	687	800	1000	2	91,9	81,2	
908032	998032	1525	1423	687	800	1000	2	101,5	90,8	
908137	998037	1750	1648	687	800	1000	3	111,3	100,4	400
908042	998042	1970	1868	687	800	1000	3	120,9	110	

Material

tempered safety glass 4 mm
sheet steel

Order-Information

equip 19" Network Cabinet DELTA S 800x1000

Packaging

side panel key 2x, door key 2x, cage nut M6 16x, brush 1x, adjustable feet 4x, nut M10 4x