



DAC-0103 Version: 1

10Gbps SFP+ Direct Attach Copper Cable, 3m, Twinax

The SFP+ passive cable assemblies are high performance, cost effective I/O solutions for 10G Ethernet and 10G Fiber Channel applications. SFP+ copper modules allow hardware manufactures to achieve high port density, configurability and utilization at a very low cast and reduced power budget. The high speed cable assemblies meet and exceed Gigabit Ethernet and Fiber Channel industry standard requirements for performance and reliability.

Key Features

- Compatible with SFP Multi-Sourcing Agreement (MSA) standards
- Data rates of up to 10.5Gbps
-
- Operating temperature: 0°C to 70°C

Specifications

System Specifications

Port:

Passive Copper Cable AWG 30

Power Input:

Supply Voltage: 3.3V

Max Voltage/Current: 3.6V/300mA

Data Rate:

Support for multi-gigabit data rates up to 10.5Gbps

Operating Temperature (°C):

0°C - 70°C

Operating Humidity (Non-condensing):

10% to 90%

Storage Temperature (°C):

-40°C to 85°C

Storage Humidity (Non-condensing):

5% to 95%

Features



General:
Hot-swappable

Performance

Operating Distance:
3 meter

Physical Specifications

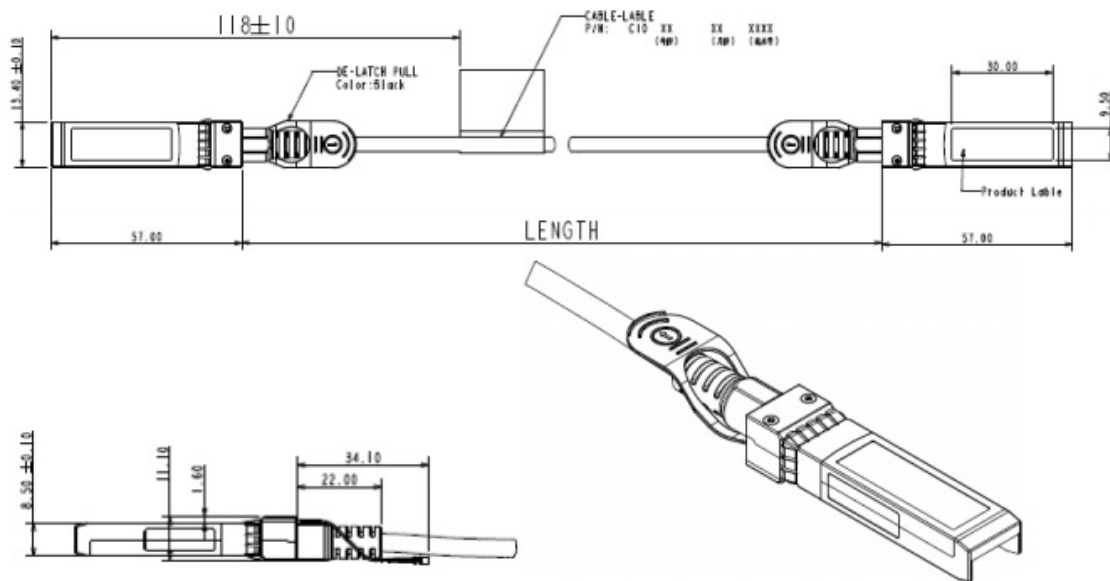
Weight (g):
180g

Approval and Compliance

EMI/EMS:
CE

Environmental Test:
RoHS

Diagram



Order Information

DAC-0103

Package Contents

DAC-0103

No liability or responsibility for any errors or omissions in the content.
Specifications are subject to change without notice.
All mentioned brand names are registered trademarks and property of their owners.
Copyright © Digital Data Communications GmbH, Germany. All Rights Reserved.