



GVT-2001 Έκδοση υλικού (h/w): 1

10/100/1000BASE-T to 1000BASE-SX MMF SC Converter, 550m

The GVT-2001 MMF SC media converter is able to convert network signals between copper and fiber-optic based networks. The converter provides a 10/100/1000Base-T RJ-45 port, supports full duplex and half duplex switch connectivity and 10Base-T, 100Base-TX and 1000Base-T auto-sensing. Used in multi-mode with fibre-optic cabling, this can extend a network range up to 550m.

The device features built-in Dip switches for easy converter configuration, which function on the Smart LFP (Link Fault Pass-through), allowing the converter to monitor both the fiber and copper ports for signal loss, as well as cut through and smart pass through mode.

The GVT-2001 is able to operate in temperatures from -10° up to 55° Celsius. The converter can be used as a standalone unit or as a slide-in module to the CHV-2000 19" converter rack, which can accommodate up to 14 units for use in a central wiring closet.



1. 10/100/1000Mbps Fiber Port
2. LED Indicators
3. 10/100/1000Mbps RJ-45 Port



4. DC Power Jack
5. Dip Switch

Βασικά χαρακτηριστικά

- Transfers data from 10/100/1000Base-T copper to fiber interfaces
- 1000Base-SX Multi-mode fiber for the link up to 550m
- Πλαίσια Jumbo 9K για αύξηση ταχύτητας μεταφοράς δεδομένων
- Built-in LFP (Link Fault Pass-through) Technology



- Ο έλεγχος ροής IEEE 802.3x παρέχει προστασία ενάντια στην απώλεια πακέτων για αξιόπιστη μετάδοση δεδομένων
- Dip switches for customized configuration
- Supports low-time lag transmission
- Supports the transmission of extra-long packets up to 1.6KB
- -10°C ~ 55°C operating temperature range

Works Well With



CVH-2000
14-Slot Media Converter Chassis



GVT-2000
10/100/1000BASE-T to 1000BASE-X SFP Converter

Προδιαγραφές

System Specifications

Connectors and Cabling:

Fiber Duplex SC (550m);RJ-45 Port CAT-5/5e Twisted Pair cable Auto MDI/MDI-X (Max to 100m) and Auto-Negotiation

Wavelength(nm):

850nm

Indicator:

PWR,TX (FDX, 100, 1000, Link/Act), FX Link/Act

Transmission Method:

Store and forward (Default)

Power:

DC 5V/2A

Standards & Protocols:

IEEE 802.3 10-BASE-T, Ethernet
IEEE 802.3u 100-BASE-TX, Fast Ethernet
IEEE 802.3ab 1000BASE-T, Gigabit Ethernet
IEEE 802.3x Flow Control (full-duplex flow control)
IEEE802.3z 1000Base-SX/LX,

Physical Specifications

Dimensions (W x D x H mm):

71 x 94 x 26 mm

Weight (g):

420 g

Environment

Temperature (°C):

Storage: -40 ~75 °C

Operating: -10 ~ 55 °C

Humidity (Non-condensing):

5 ~ 90 %

Others

Approval and Compliance:

CE, FCC

Deployment:

Desk, wall and chassis mounted

Performance

Operating Distance:

550 m

Features

General:

DIP Switch 1: LFP function

DIP Switch 2 and 3 performance 4 types work mode

DIP Switch 2 and 3 is OFF = Store and forward

DIP Switch 2 is OFF, 3 is ON = Cut through mode

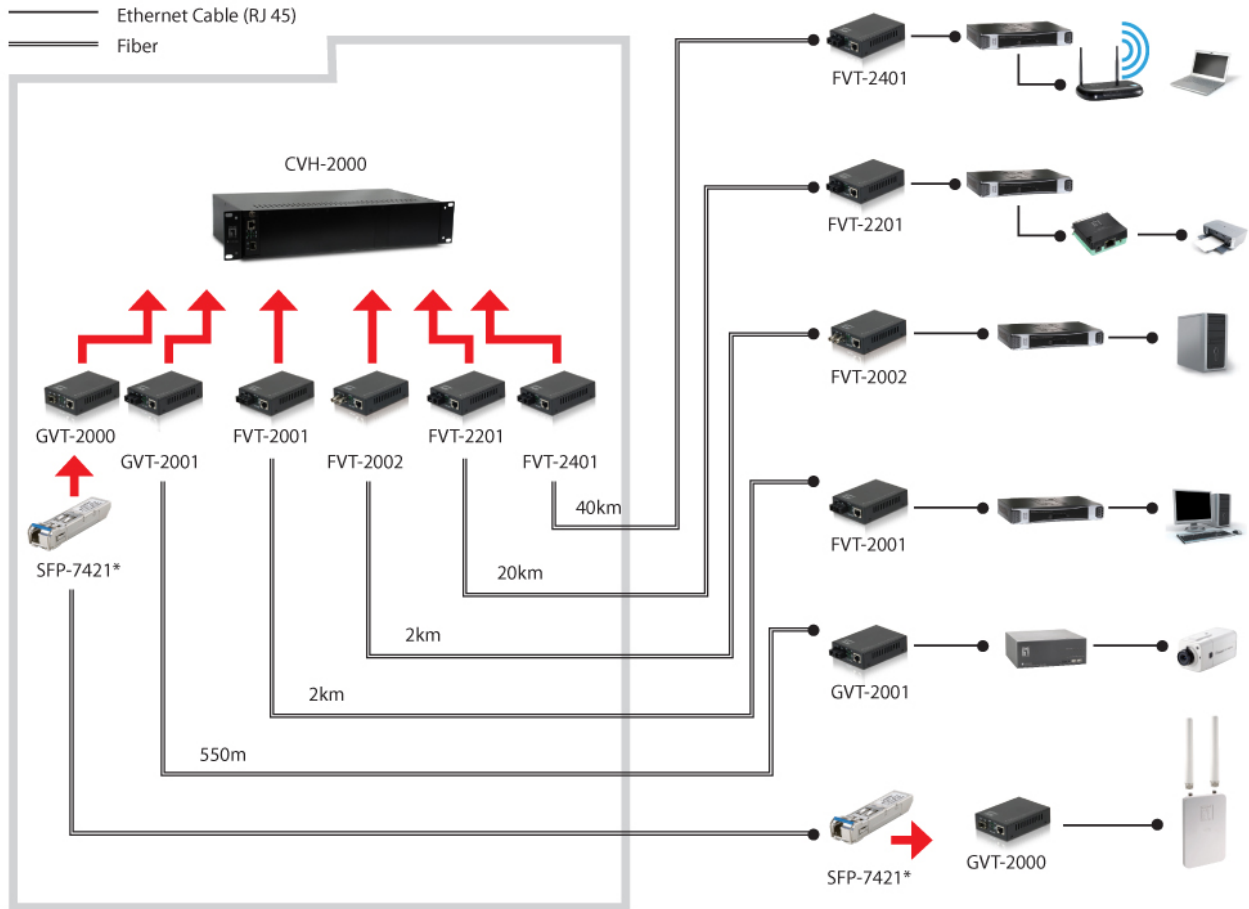
DIP Switch 2 is ON, 3 is OFF = Smart pass through

DIP Switch 2 and 3 is ON = Pass through mode



Διάγραμμα

Dimension Diagram



*In above example diagram, converter modules at local and remote ends should be paired for proper connectivity, and the distance mainly depends on cable and transceiver selection accordingly.

Order Information

GVT-2001

Περιεχόμενα συσκευασίας

- Power Adapter
- Quick Installation Guide

Παρελκόμενα



CVH-2000