



## 19" Wall-Mounted Single Section Box, Disassembled

### Technical Features

1.2mm steel

Maximum static load up to 30kg

Electrostatic powder paint

Color: RAL 7035 light grey or RAL 9005 black

Product dimensions are 6/9/12/15 U, 540mm width and 450mm depth

Glass door with cylindrical lock

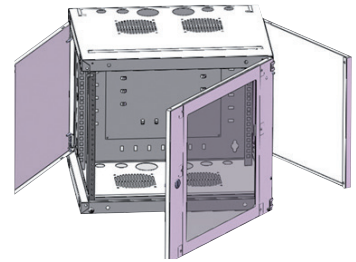
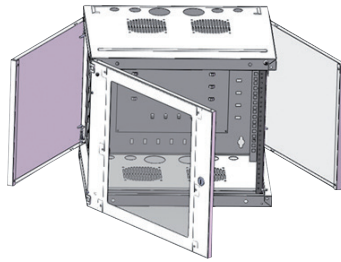
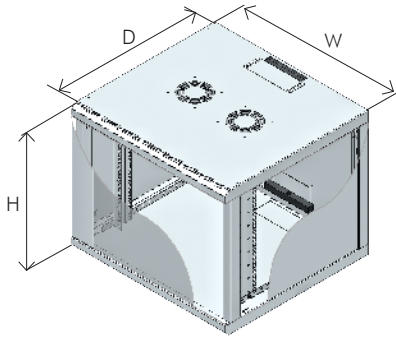
Adjustable 19" profile rails

Cable entry from 3 sides

Disassembled flat pack delivery

Art-No. Dark Grey = B Light Grey = G	Height U	Outer Width (W) mm	Outer Depth (D) mm	Outer Height (H) mm	19" Rails Adjustable Depth Range (mm)	Weight kg	EAN Code
W06F64B	6U	540	450	330	110-350	14	4052792016321
W06F64G	6U	540	450	330	110-350	14	4052792016314
W09F64B	9U	540	450	460	110-350	17	4052792016345
W09F64G	9U	540	450	460	110-350	17	4052792016338
W12F64B	12U	540	450	595	110-350	20	4052792016369
W12F64G	12U	540	450	595	110-350	20	4052792016352
W15F64B	15U	540	450	725	110-350	25	4052792016383
W15F64G	15U	540	450	725	110-350	25	4052792016376

## Technical Drawings



W06F64B



W09F64B



W012F64B



W015F64B



W06F64G



W09F64G



W012F64G



W015F64G

[www.logilink.com](http://www.logilink.com)



RoHS  
compliant



Made in China

\*The specifications and pictures are subject to change without prior notice.  
\*All trade names referenced are the registered trademarks of their respective owners.

## Package Contents

1 x 19" Wall-Mounted Single Section Box

## Packaging Informations

Packing Dimension	575 x 490 x 210mm (W06F64x) / 590 x 500 x 215mm (W09F64x) / 655 x 570 x 210mm (W12F64x) / 790 x 570 x 210mm (W15F64x)
Packing Weight	14kg (W06F64x) / 17kg (W09F64x) / 20kg (W12F64x) / 25kg (W15F64x)
Carton Dimension	575 x 490 x 210mm (W06F64x) / 590 x 500 x 215mm (W09F64x) / 655 x 570 x 210mm (W12F64x) / 790 x 570 x 210mm (W15F64x)
Carton Q'ty	1pc
Carton Weight	14kg (W06F64x) / 17kg (W09F64x) / 20kg (W12F64x) / 25kg (W15F64x)

