

CAT.6 Modular Plug, Toolless

Part no.: MP0025

Technical Features

Cat.6 UTP modular plug, toolless

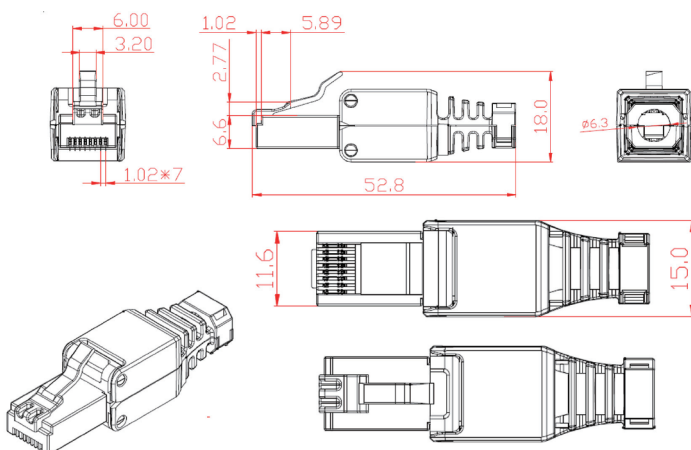
Wire: AWG23 – AWG26

OD ≤ 6.5mm

Material: PC

Color: White

Technical Drawings



Electrical

1. Contact Resistance: 20m ohms max
2. Insulation Resistance: 250m ohms min @500 DC
3. Withstand Voltage: DC1000V AC700V RMS 60Hz, imin
4. Cat.6 Permanent Link: Conform to Anst/TIA/EIA 568B.2-10

Environmental

1. Storage: -40°C±70°C
2. Operation: -10°C±60°C

Mechanical

1. Plastic Material: PC
2. IDC Material: PC
3. Terminal: Phosphor Bronze, Tin Gold 3U^{II}
4. RJ45 Contct Life: 750 times min
5. IDC Life: 750 times min
6. Wire: AWG23-26, OD ≤ 6.5mm

MP0025



4 052792 042504

Made in China

www.logilink.de



RoHS
compliant



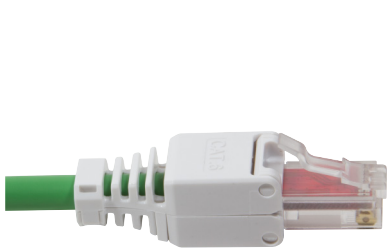
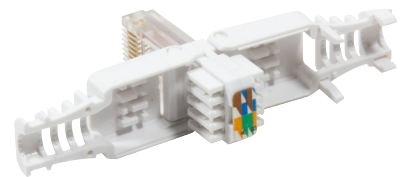
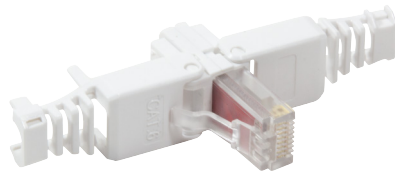
* The specifications and pictures are subject to change without notice.
*All trade names referenced are the registered network of their respective owners.

Package Contents

1 x CAT. 6 Modular Plug, Toolless

Packaging Informations

Packing Dimension	100 x 70 x 15mm
Packing Weight	0,008kg
Carton Dimension	620 x 420 x 230mm
Carton Q'ty	1000pcs
Carton Weight	9,5kg



MP0025



4 052792 042504

Made in China

www.logilink.de



RoHS
compliant



* The specifications and pictures are subject to change without notice.
*All trade names referenced are the registered trademark of their respective owners.