



DIN-Rail Mounting Brackets, 2pcs

Part no.: MP0049

Technical Features

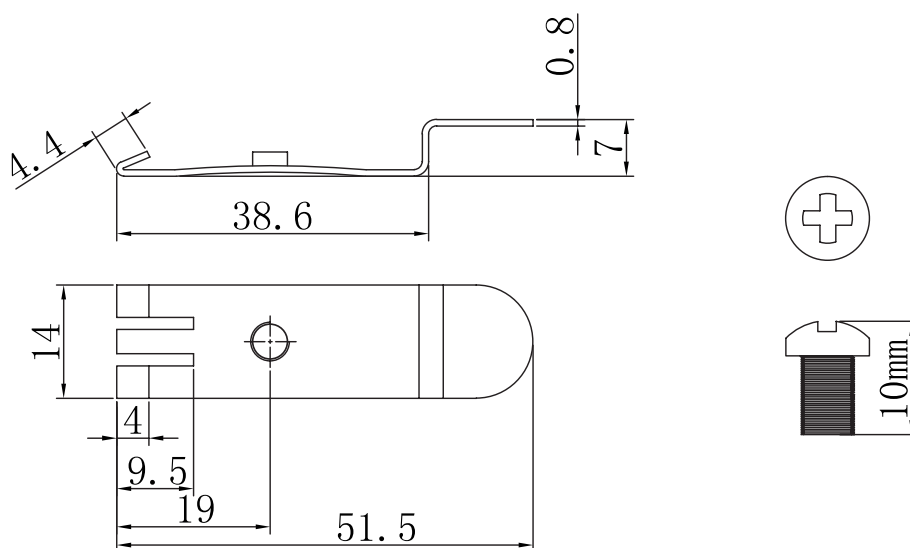
Metal DIN-Rail mounting brackets

Clips Patch Panels onto 35mm DIN rail

Stainless steel, T: 0.8mm

Set included 2 pcs screws and 2 pcs brackets

Technical Drawings



Unit: mm

MP0049



4 052792 051667

Made in China

www.logilink.com



RoHS
compliant

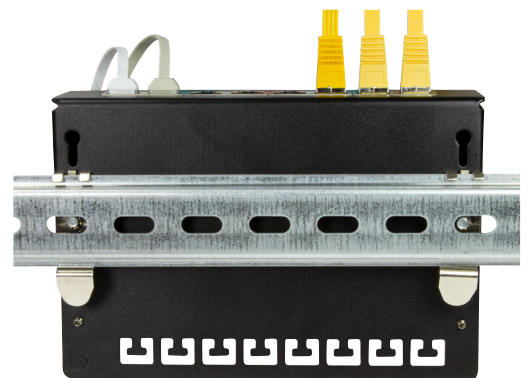
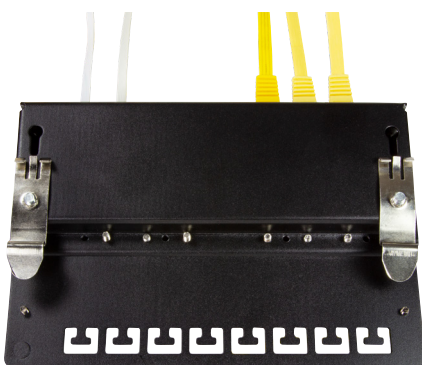
* The specifications and pictures are subject to change without notice.
*All trade names referenced are the registered trademark of their respective owners.

Package Contents

DIN-Rail Mounting Brackets x 2

Packaging Information

Packing Dimension	mm
Packing Weight	kg
Carton Dimension	mm
Carton Q'ty	pcs
Carton Weight	kg



MP0049



4 052792 051667

Made in China

www.logilink.com



RoHS
compliant

* The specifications and pictures are subject to change without notice.
*All trade names referenced are the registered namework of their respective owners.