



19" Cable Routing Bracket

Technical Features

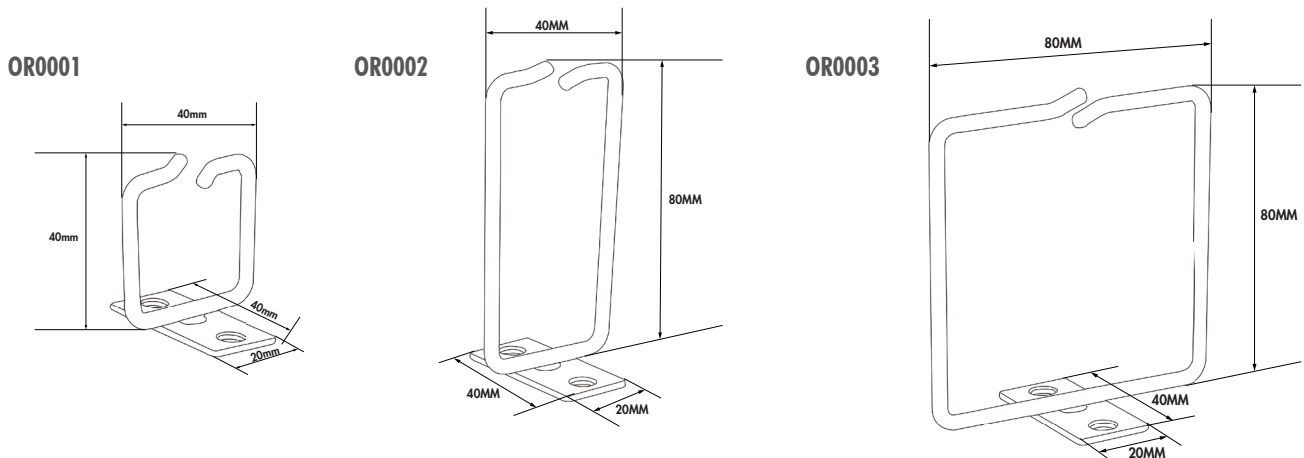
Set with 2pcs

Material: Zinc-plated steel

Include 4 x M6 mounting screw set

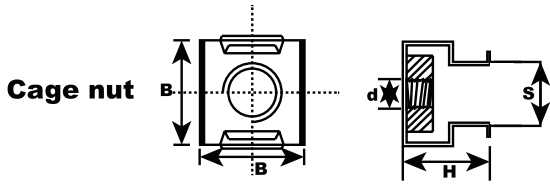
Part no.	Cable Management Ring	EAN Code
OR0001	40 x 40mm	4052792061758
OR0002	40 x 80mm	4052792061765
OR0003	80 x 80mm	4052792061772

Technical Drawings



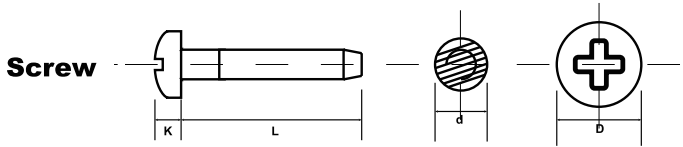
www.logilink.com





Cage nut

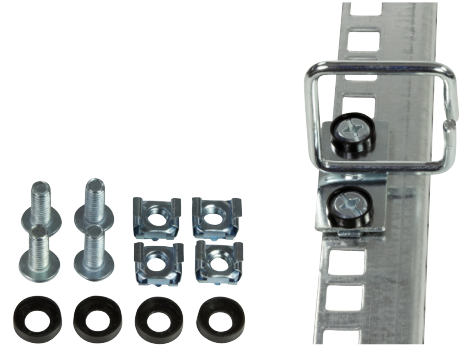
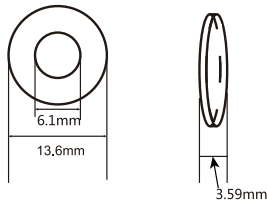
Product	d	B	H	S
M6	6mm	13mm	9.35mm	8.45mm



Screw

Product	d	K	L	D
M6	6mm	4.49mm	16mm	11.9mm

Washer



Package Content

2 x 19" Cable Routing Brackets

Packaging Information

Art-No.	Packing Dimension	Packing Weight	Carton Dimension	Carton Q'ty	Carton Weight
OR0001	125x100mm	0.08kg	510x290x300mm	225pcs	19.9kg
OR0002	125mmx90	0.1kg	510x290x300mm	195pcs	19.6kg
OR0003	155x120mm	0.12kg	510x290x300mm	150pcs	17.5kg